

Overview

The 900 Series LED cartridge lamp mates with 910 Series lampholders. Constructed with an aluminum case, 900 Series LED lamps are noted for high resistance to shock and vibration, long life, and low power requirements. These may be ordered with multiple lens styles and lens colors.

Approvals

UL Recognized and CSA Certified.

Specifications

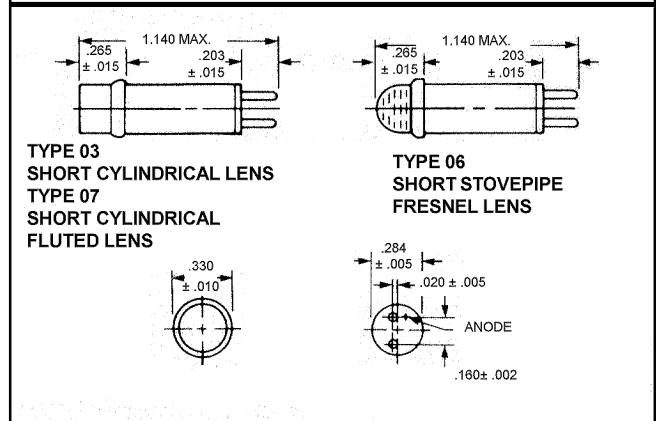
Sleeve: Aluminum. Black anodized finish standard; clear anodized finish optional.

Termination: .040" diameter stainless steel pins mounted in a nylon header. The anode is identified on the header as the + pin connection.

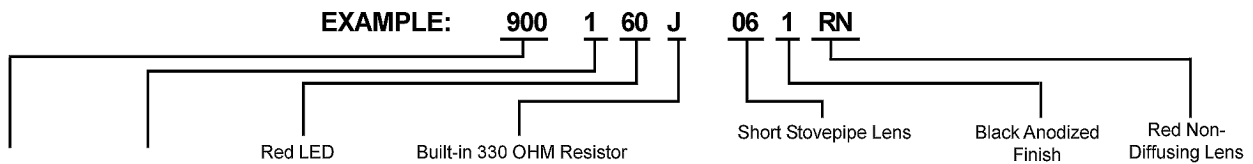
LED DC Voltage options: 1.8 to 28 volts.

Lens: Heat resistant, high strength polycarbonate.

Lens Marking: Cylindrical lenses may be stamped. Contact factory.



ORDERING INFORMATION:



Series Number	Termination	Lamp Code	Resistor			Lens Type	Sleeve Finish	Lens Color
			Code	Current	Volts			
900	1 Stainless steel pins standard	60 (Red LED)	Nominal 10 mA			03 Short Cylindrical 06 ² Short Stovepipe Fresnel 07 ² Short Cylindrical Fluted	1 Black Anodized-standard	Nondiffusing (Clear)
			X	NONE	1.8			
		U	200 OHM	3.6				
		J	330 OHM	5				
		W	430 OHM	6				
		Y	820 OHM	10				
	66 (Green LED)	K	1000 OHM	12				
		G	1200 OHM	14				
	68 (Yellow LED)	L	2700 OHM	28				
		Nominal 20 mA						
		V	100 OHM	3.6				
		M	180 OHM	5				
A Tin-plated stainless steel pins for printed circuit board mounting	P	220 OHM	6					
	Z	390 OHM	10					
	N	620 OHM	14					
	H	1300 OHM	28					
² Recommended for best light distribution. ³ Lamp Code Number. When specifying lens color, use only with lamp codes shown.								